

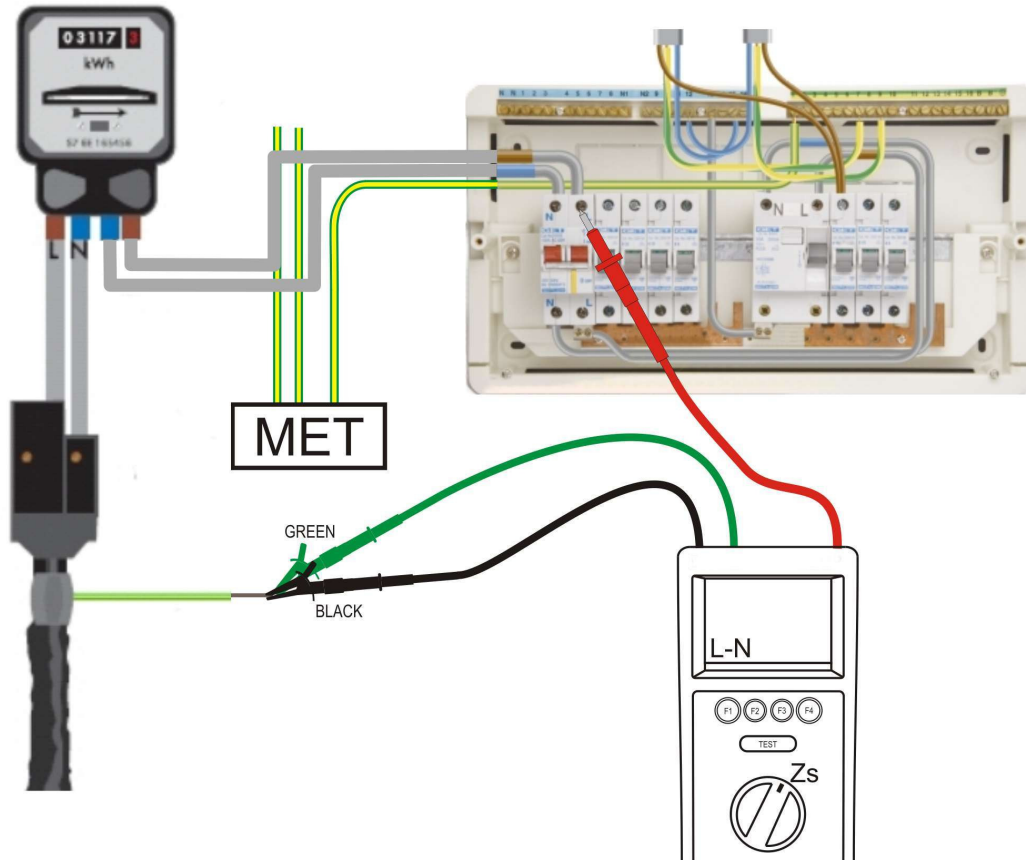
Performing a high current Z_E measurement using the Seaward PowerTest 1557

When testing circuits which are not RCD protected and where the earth loop impedance is low, for example when measuring Z_E , performing a high current loop test can give improved accuracy and repeatability.

The line impedance (**L-N**) test can be used to perform a high current Z_E measurement as shown below:

Method **a)** 3 wire measurement

- 1) Connect the red test probe to the line conductor.
- 2) Connect both the green and black test probes to the earth conductor.
- 3) Select the loop test **Z_s** on the rotary switch.
- 4) Select a high current line impedance test by pressing the F1 key until **L-N** is shown on the LCD display.
- 5) Press the TEST key to make a measurement.



Application Note 0043

Experts in what we do.

Method **b)** 2 wire measurement

- 1) Connect the red test probe to the line conductor.
- 2) Connect the combined green/black test probe to the earth conductor.
- 3) Select the loop test **Zs** on the rotary switch.
- 4) Select a high current line impedance test by pressing the F1 key until **L-N** is shown on the LCD display.
- 5) Press the TEST key to make a measurement.

